

GOLD / PLATINUM TESTER GK

< PRECIOUS METAL TESTER >

Easy and accurate Gold K, PT testing



GK-300

Capacity 0.01-300g
Gold testing : K9-24 & %
Density testing



GK-2000

Capacity 0.01-2100g
Gold testing : K9-24 & %
Platinum testing : Pt600-1000 & %
Density testing

MADE
IN
JAPAN

Precious Metal Tester GK Series

GK series are the GOLD TESTER with our developed soft ware which evaluates purity of Precious Metals.

Features

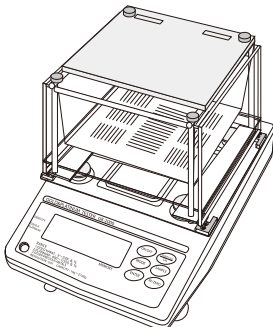
- GKs can check purity to confirm if marked stamp on gold (platinum) is correct or not.
GKs are very useful to check most common type of fake gold (platinum).
- Gold (platinum) which outside covered real gold (platinum), and inside with other metal can be detected.
- Non-gold (platinum) metals can be distinguished.
- Function: Model GK-2000
Gold••••K9 to 24(increments of 1), percentage(%) and density
※Alloyed metals for calculation are set Silver and Copper
Platinum••••PT600 to 1000(increments of 50) percentage(%) and density
※Alloyed metals for calculation are set Palladium, Ruthenium, and Cobalt
Function: Model GK-300
Gold••••K9.10.12.14.16.18.20.21.22.23.24, percentage(%) and density
※Alloyed metals for calculation are set Silver and Copper
Platinum or other••••check with density

Precious metals which can not be tested with GKs.

- With hallow.
- With any stones (Have to remove them when testing)
- Materials which have close density to gold (platinum)

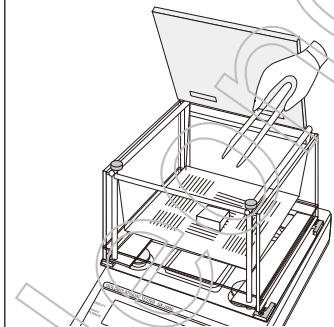
Easy operation in 20 Sec.

① Measure weight in air



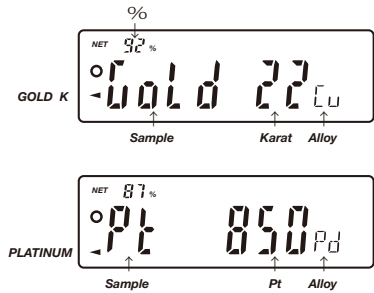
➔

② Measure weight in water



➔

③ Result



Specification

| | | |
|--------------------------|--|---|
| Item Code | 101-003 | 101-002 |
| Model | GK-2000 | GK-300 |
| Measuring range | 0.01 - 2100g | 0.01 - 300g |
| Minimum necessary weight | 10 g | 5 g |
| Display | Gold : (Lo, K9, 10, 11, 12, 13, 14, 15, 16, 17, 18, 19, 20, 21, 22, 23, 24) Purity (%), Density Platinum : (Lo, Pt 600, 650, 700, 750, 800, 850, 900, 950, 1000), Purity (%), Density | Gold : (Lo, K9, 10, 12, 14, 16, 18, 20, 21, 22, 23, 24), Purity (%), Density |
| Power supply | AC115 to AC240V | |
| Weight / Dimension | 5.50 kg / 317 x 210 x 235 mm | 1.54 kg / 218 x 190 x 170 mm |
| Option | Printer AD-8121B, 2kg calibration weight | Printer AD-8121B, Airtight windshield |

Produced by

ALFA MIRAGE Co., Ltd.

3-2-19, Miyakojimahondori, Miyakojima-ku
Osaka, 534-0021, JAPAN
TEL : +81-6-6924-2631 FAX : +81-6-6924-2022
URL : www.alfamirage.com
E-mail : sales@alfamirage.com

PLEASE CONTACT: