



# DS-560series

Digital Weighing Platform Scale

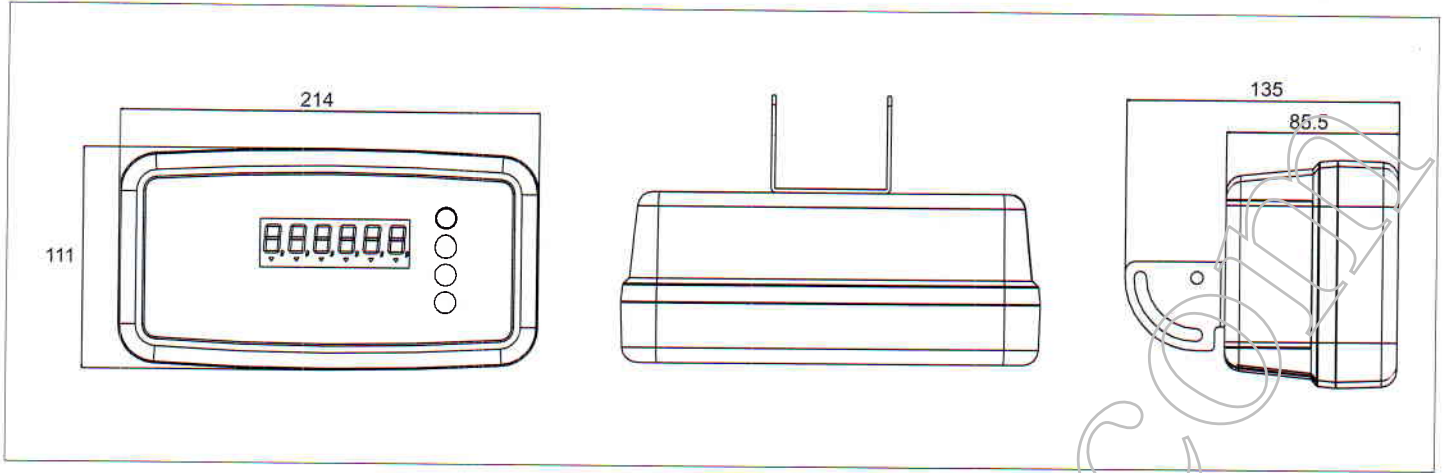
## User Friendly Features and A Compact Design

- Bright LED display
- One touch/digital tare subtraction
- Intelligent power control
- Optional rechargeable battery



**Searching for**  
**a New Balance**

## Console Dimensions(mm)



## Basic Specifications

Model	DS-560
Capacity	6kg, 15kg, 30kg, 60kg, 150kg, 300kg, 600kg
Power Source	AC 240/230/220V, 117/100V(Factory Option) DC 6V 2.8Ah rechargeable battery (optional)
Display	LED
Resolution	1/3,000
Operating Temperature	-10°C ~ +40°C
Operating Humidity	15% ~ 85% RH
Power Consumption	18W (when using AC power) 3W (when using rechargeable battery)
Dimensions(console)	214 (W) x 135 (D) x 111 (H) mm

## Platform (optional)

Model	Demension	Max.Capacity	Loadcel Type	Frame Material	Platter Size	Platter Material	Pole Length	Pole Material
S-GA	368x488x97mm	60/150/300kg	S	Normal steel	368x488mm	Stainless steel	690/395mm	Aluminum/Stainless steel
S-GAS	368x488x97mm	60/150/300kg	S-P	Stainless steel	368x488mm	Stainless steel	800mm	Stainless steel
S-GB	500x600x100mm	60/150/300kg	PMB	Normal steel	500x600mm	Normal steel/Stainless steel	690mm/395mm	Aluminum/Stainless steel
S-GBS	500x600x100mm	60/150/300kg	PMB-P	Stainless steel	500x600mm	Stainless steel	690mm/395mm	Aluminum/Stainless steel
S-GC	700x800x120mm	150/300/600kg	PMD	Normal steel	700x800mm	Normal steel/Stainless steel	690mm/395mm	Aluminum/Stainless steel
S-GCS	700x800x120mm	150/300/600kg	PMD-P	Stainless steel	700x800mm	Stainless steel	690mm/395mm	Aluminum/Stainless steel
S-GD	350x400x85mm	30/60/150kg	P	Normal steel	350x400mm	Normal steel/Stainless steel	600mm	Normal steel
S-GE	341x284x63mm	6/15/30kg	JW	Stainless steel	341x284mm	Stainless steel	252mm	Stainless steel
S-GF	320x360x80mm	30/60/150kg	P	Normal steel	320x360mm	Stainless steel	450mm/270mm	Stainless steel
S-GH	450x500x95mm	60/150/300kg	S	Normal steel	450x500mm	Normal steel/Stainless steel	690mm/395mm	Aluminum/Stainless steel
S-GL	450x600x125mm	60/150kg	MB-P	Normal steel	450x600mm	Stainless steel	690mm	Stainless steel
S-GLS	450x600x125mm	60/150kg	MB-P	Stainless steel	450x600mm	Stainless steel	690mm	Stainless steel

\*Specifications are subject to change without prior notice.

### TERAOKA SEIKO CO.,LTD.

13-12 Kugahara 5-chome, Ohta-ku,  
Tokyo 146-8580, JAPAN  
TEL: +81-3-3752-2131  
FAX: +81-3-3752-2801  
URL: <http://www.digisystem.com>  
E-MAIL: [info@hq.digi.co.jp](mailto:info@hq.digi.co.jp)

### TERAOKA WEIGH-SYSTEM PTE LTD.

4, Leng Kee Road, #06-01, SIS Building,  
SINGAPORE 159088  
TEL: +65-6861-3911  
FAX: +65-6861-3144

### SHANGHAI TERAOKA ELECTRONIC CO.,LTD.

TINGLIN INDUSTRY DEVELOPMENTAL ZONE,  
JINSHAN COUNTY, SHANGHAI 201505  
TEL: +86-21-57234888  
FAX: +86-21-57233049  
<http://www.digisystem.com.cn>